

Installation Instructions

for the
157498 Premium Upgrade Kit / NG
157499 Premium Upgrade Kit / LP

Jøtul Accessories
GF 300 DV IPI Allagash
GF 400 DV IPI Sebago

Read these instructions before beginning the installation. These accessories work in conjunction with the SIT Proflame 2 Remote Control Transmitter. See the operation instructions included with the transmitter kit and the stove Owner's Manual.

CONTENTS:

- Flame Control, NG or LP
- Accent Lamp
- Blower with Multifunction Remote Control Transmitter

Flame Control Installation

1. Disconnect the power supply from the stove.
2. Using a Torx T-20 screwdriver, remove the two screws from the front of the manual valve regulator and remove the components as shown in fig. 1.
3. Confirm the appropriate fuel type by the label on the new Flame Control and install it using the new screws included with this kit.
4. Connect the wire harness to terminal (M) on the forward-facing side of the stove IFC board.
5. If appropriate, follow the instructions for fuel conversion in the stove Owner's Manual.

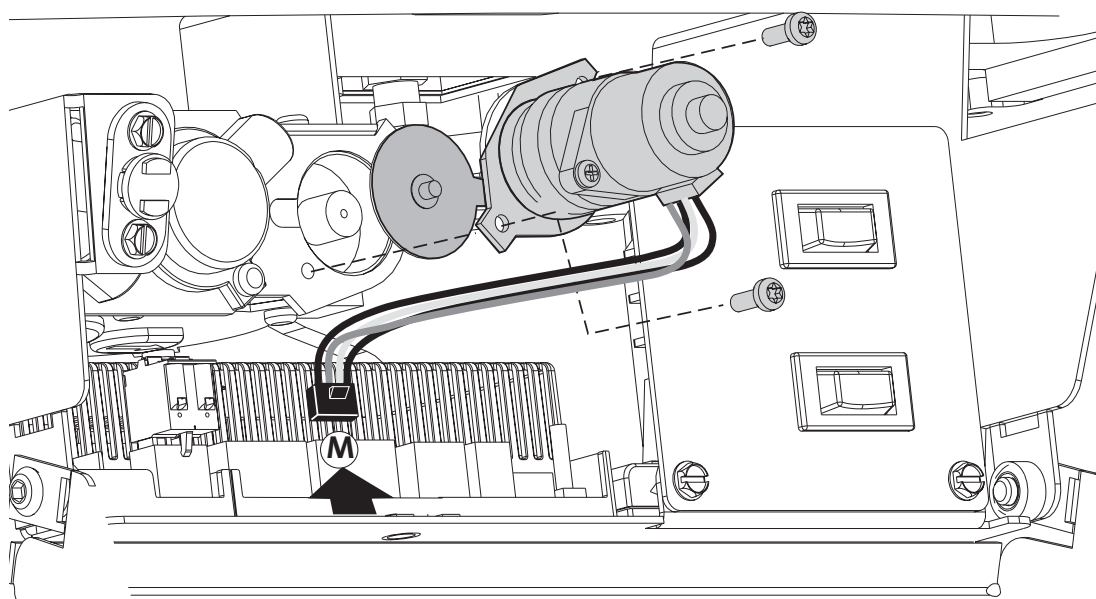


Figure 1. Flame Control installation.

Accent Lamp #157469

Contents:

1. Lamp Box Assembly w/ harness
2. Lens
3. Spare Gasket
4. Light Deflector Plate

Tools Required:

- 10 mm wrench
- Safety goggles
- Work gloves

AVOID SKIN CONTACT WITH THE LAMP BULB, AS THAT MAY CAUSE PREMATURE BULB FAILURE.

1. Remove the stove top plate.
2. Remove the two flanged hex head bolts (A), nuts (B) and cover plate from the Relief Panel using a 10 mm socket or wrench. See fig. 2.
3. Position the Gasket, Lens, and Lamp Box on the top of the Relief Panel using the two bolts (A) previously removed. Use the spare gasket provided if the original is damaged.
4. Inside the firebox, attach the Light Deflector plate to the bolts on the underside of the Relief Panel using the nuts (B) previously removed.
5. Route the controls wire harness in between the inner and outer shrouds, and then through the opening in the base plate. Connect the harness to the (L) terminal on the rear of IFC board. See figs. 3 and 4.

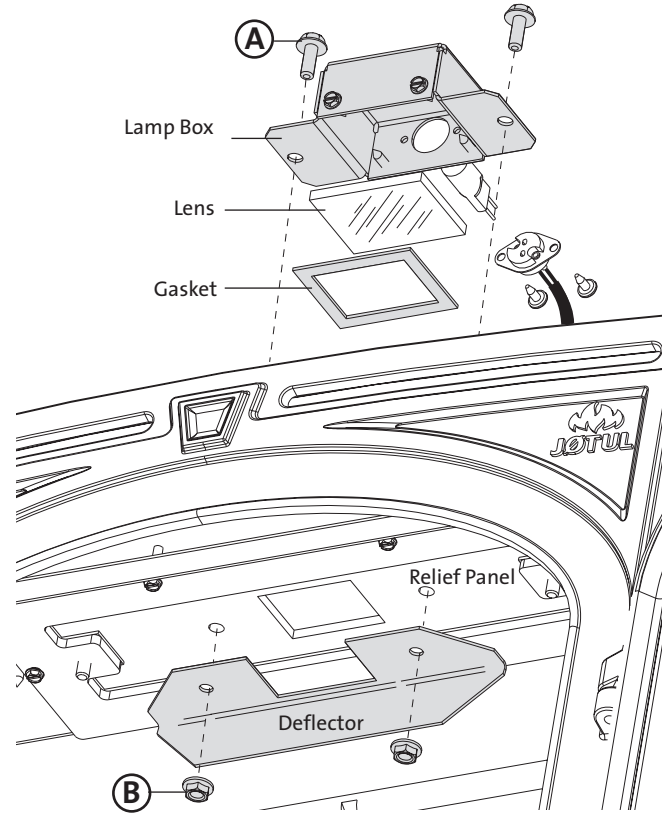
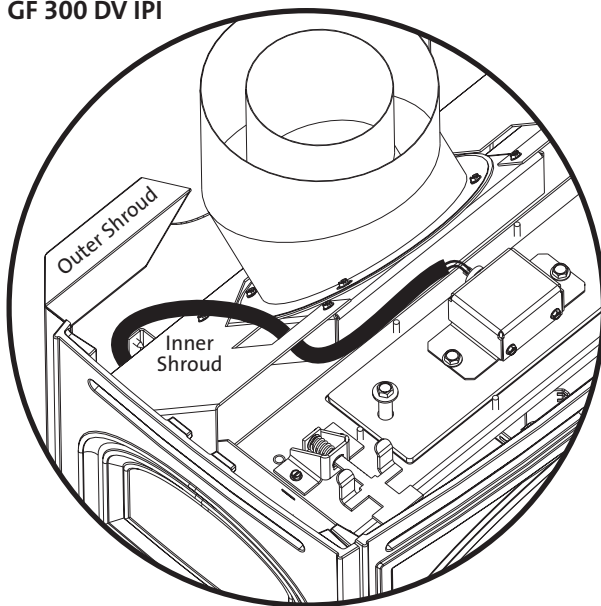


Figure 2. Accent Lamp installation.

GF 300 DV IPI



GF 400 DV IPI

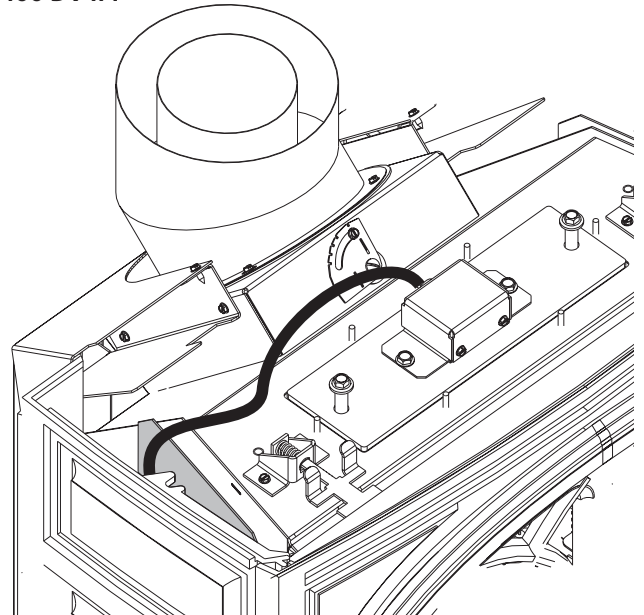


Figure 3. Lamp wire harness routing.

Variable Speed Blower #157470

■ This blower must be electrically grounded in accordance with local codes or, in the absence of local codes, with the current ANSI/NFPA 70, National Electrical Code or CSA C22.1-Canadian Electrical Code.

Be certain the blower motor is securely fastened to the mounting frame on the stove.

■ Always disconnect the power supply to the stove before performing any service on the blower.

Contents

1. Blower
2. Mounting Bracket
3. IFC wire harness
4. M6 x 12 hex head flange bolts, 2
5. M6 x 12 wing screw
6. Wire tie

Tools Required

- 10 mm wrench
- Safety goggles
- Work gloves

GF 300 DV IPI Blower Installation

1. Disconnect the power supply from the stove.
2. Orient the Blower Bracket (fig. 4, #2) as shown and securely attach it to the stove using the two M6 flange head hex bolts (#4).
3. Install the Blower (#1) with the duct openings oriented up and to the rear. Secure the blower to the bracket with the wing screw (#5).
4. Connect the Blower wire harness to terminal (B) on the IFC board as shown in fig. 50. Use the wire tie provided to take up any extra slack in the harness.
5. Reconnect power supply to the stove.

See Remote Control initialization and operation instructions included with the transmitter.

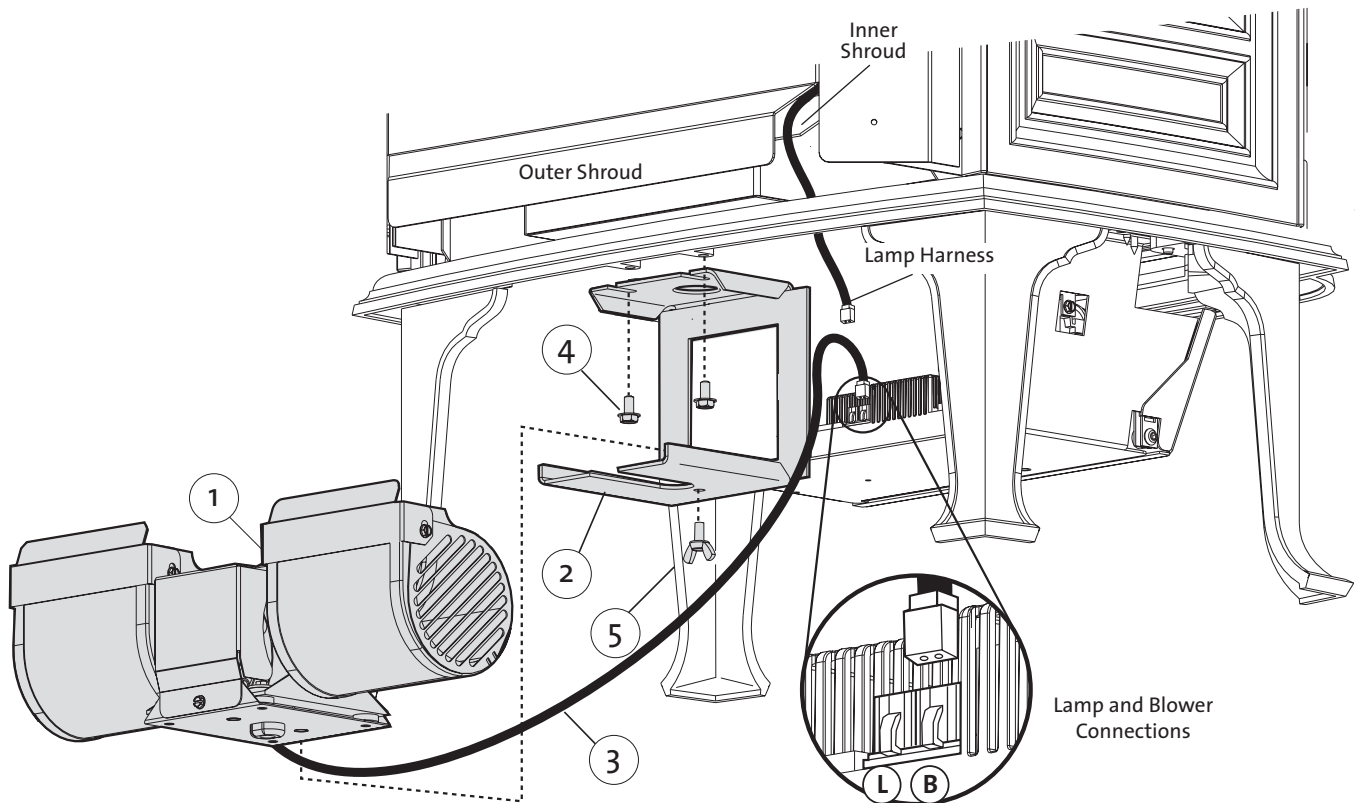


Figure 4. 157470 Blower Kit Components used for GF 300 DV IPI Allagash.

GF 400 DV IPI Blower Installation

1. Disconnect the power supply from the stove.
2. Orient the Blower Bracket (fig. 46, #2) as shown and securely attach it to the stove using the two M6 flange head hex bolts (#4).
3. Install the Blower (#1) with the duct openings oriented up and forward as shown. Secure the blower to the bracket with the wing screw (#5).
4. Connect the Blower wire harness to terminal (B) on the IFC board as shown in fig. 50. Use the wire tie provided to take up any extra slack in the harness.
5. Reconnect power supply to the stove.

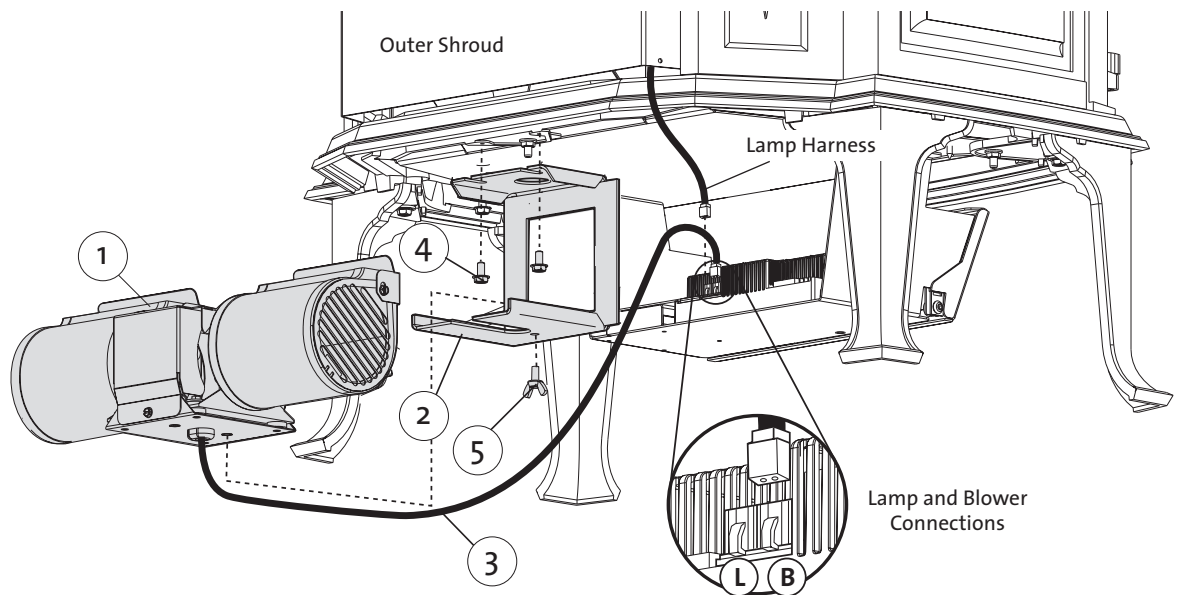


Figure 2. 157470 Blower Kit Components used for GF 400 DV IPI Sebago.