

Jøtul Outside Air Kit 157637 for the Jøtul F 45

Contents:

- Outside Air Manifold
- #8 x 1/2" sheet metal screws, (4)

Tools Required:

- 10 mm socket driver or wrench
- safety glasses
- work gloves

This kit has been tested and listed for use with the Jøtul F 45 woodstove by Intertek Testing Services, Inc. Middleton, WI.



You will need to acquire the following additional components available at any hardware supplier:

- Exterior Air Inlet Cover
- 4" Aluminum Duct
- Rodent Screen
- 4" Duct Clamps, 2

The exterior air inlet should not be installed at a level higher than the stove bottom.

1. Use the 10 mm socket driver or wrench to remove the four nuts and the bottom heat shield from the studs in the stove bottom as shown in fig. 1. Also remove the four remaining spacer nuts from the studs.
2. Attach the outside air manifold directly to the stove bottom using four of the nuts previously removed.
3. Use pliers to remove the air inlet cut-out from the bottom heat shield.
4. Attach the bottom heat shield to the outside air manifold using four sheet metal screws from the Outside Air Kit.

If the bottom heat shield will not be used, install the sheet metal screws supplied with the outside air kit to plug the associated holes in the manifold.

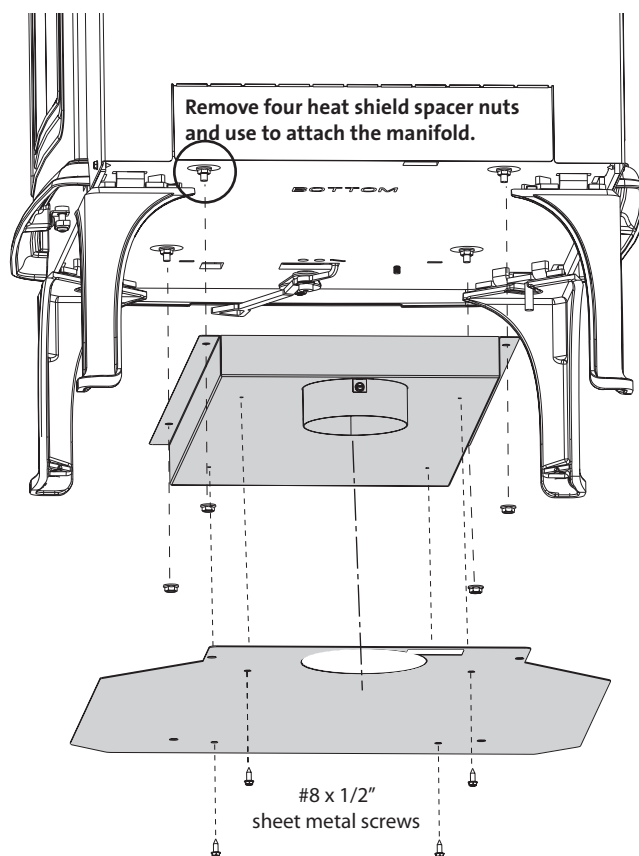


Figure 1. Outside Air Manifold installation.

5. Complete the air duct connection between the stove and the exterior air inlet.

