

Figure 64.  
Firebox Part Identification.

No.	Part Number	Description	No.	Part Number	Description
1	9911	Bolt, Hex Cap, M6x45, DIN 933, Class 8.8, Blk	21	22298392	Simpson DV Starter Collar, GF 370, MB
2	9962	Bolt, Hex Cap M6x10 DIN 933 8.8 Ser Flange Blk	22	222988	Light Box, Inner
3	117917	Screw, HWH SMA 8 x 1/2 SL Blk Oxide	23	22298992	Light Box, Outer, MB
4	117967	Screw, Pan Head #7 x 3/8 PH SMA Zinc	24	223202	Intake Manifold, GF 370
5	117968	Nut, M6 Serrated Flange plain	25	22320592	Burner Skirt, Rear, GF 370, MB
6	117978	Screw, Button Head Socket M6X10 Blk	26	156834	Replacement Inner Side Glass & Gasket, GF 370
7	118039	Spacer, .375 O.D. x 1.188	27	22324392	Panel Retainer, GF 370
8	120004	Washer, Fender M6 DIN 9021B Zinc	28	223295	Gasket, Intake Manifold, GF 370
9	129118	Gasket, Starter	29	118201	Screw, Button Head Socket, M6 X 16, Blk
10	222580	Firebox Weldment, GF 370	30	22259292	Glass Frame, Curved, GF 370, MB
12	22258892	Baffle, Firebox, GF 370, MB	31	156824	Replacement Light Socket Ass'y, GF 370
13	22258992	Glass Frame, Side, Inner, GF 370, MB	32	222977	Gasket, Light Kit
14	22273592	Glass Shade, Side, GF 370, MB	33	222993	Gasket, Relief Door, GF 370
15	156833	Replacement Front Glass & Gasket, GF 370	34	223241	Gasket, Exhaust Restrictor, GF 370
16	222943	Light Bulb, 130 Volt, 50 Watt	35	118090	Screw, HWH SMA 8 x 5/8 SL Zinc
17	222974	Glass, Ceramic, Light Fixture, GF 370	36	22321992	Shroud, Rear, GF 370, MB
18	22298092	Restrictor, Rod & Washer Assy, GF 370, MB	37	22328292	Firebox Cover, GF 370, MB
19	222981	Delay Door, GF 370	38*	223224	Skamol, Rear Panel
20	222982	Restrictor Plate, GF 370	39*	223235	Skamol, Side Panel, 2

\* not illustrated

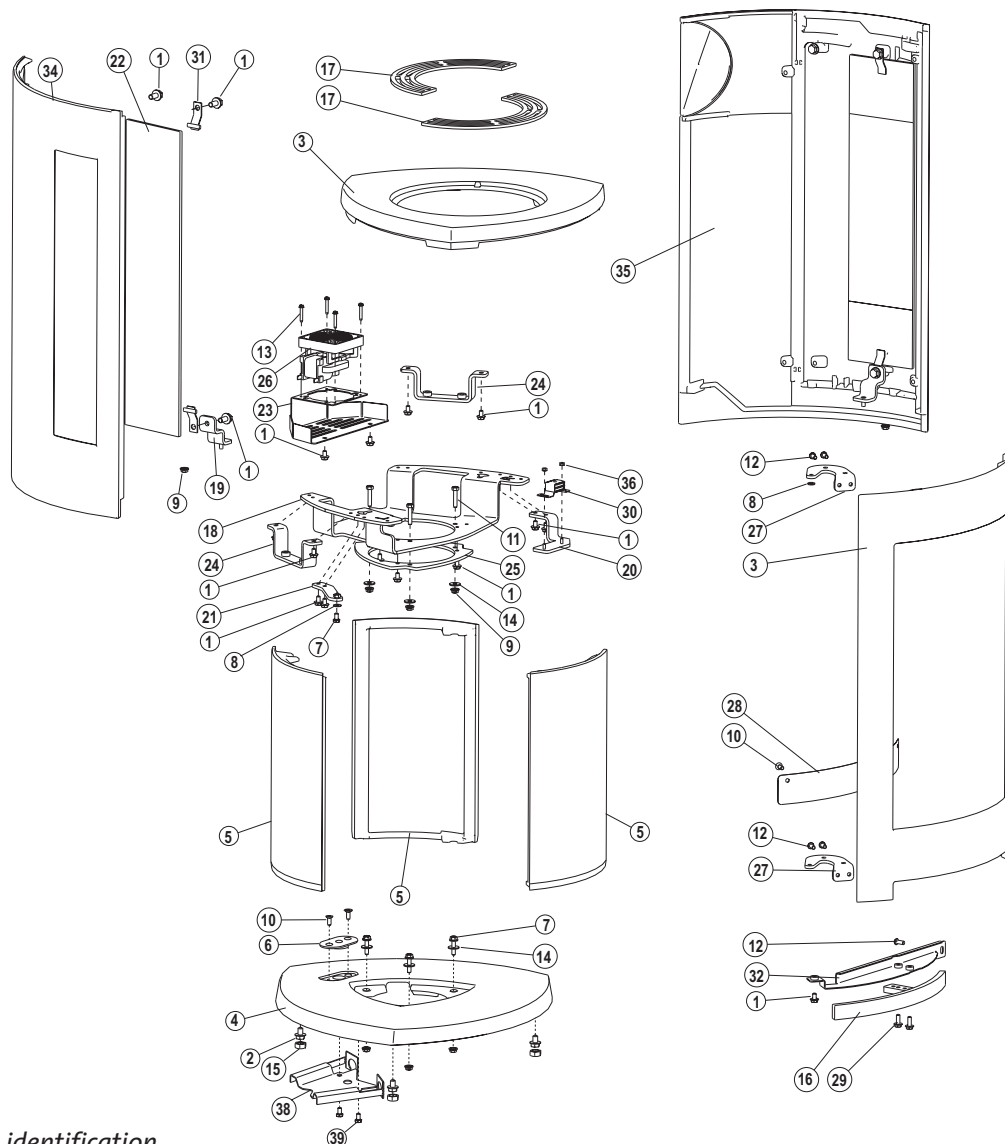
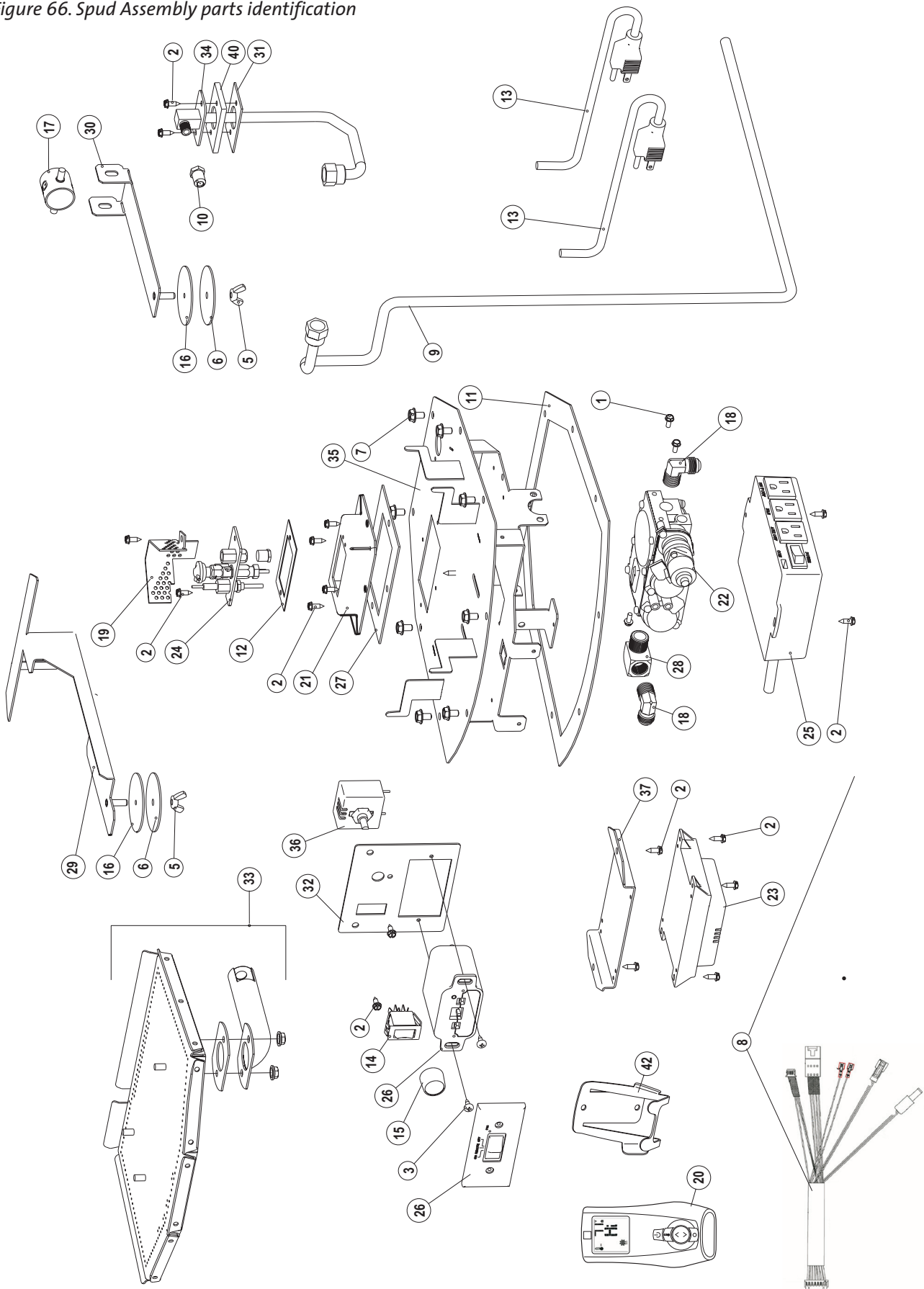


Figure 65.  
External parts identification

No.	Part Number	Description
1	9962	Bolt, Hex Cap M6x10 DIN 933 8.8 Ser Flange Blk
2	99115	Bolt, Hex Head M8 x 12 Blk
3	10447092	Top Plate, MB - GF 370
4	10431992	Pedestal Base, MB - GF 370
5	10448892	Pedestal Side, MB - GF 370
6	10453692	Cover, Access, MB - GF 370
7	118019	Bolt, Hex Hd Serr Flange M6 x 25 Blk
8	117947	Washer, Flat M6 -.062 DIN 125A Plain
9	117968	Nut, M6 Serrated Flange plain
10	117976	Screw, Flat Head Phillips M6 X 12 M/S Blk
11	9906	Bolt, Hex Cap, M6x30, DIN 933, Class 8.8, Blk
12	117978	Screw, Button Head Socket M6 x 10 Blk
13	118095	Screw, HWH, SMA, #8 x 1", SL, Zinc
14	120004	Washer, Fender M6 DIN 9021B Zinc
15	222664	Protection Cap, M8 Hex, Black
16	222729	Door Handle, Plated, GF 370
17	22299592	Top Grill, GF 370, MB
18	222998	Bracket, Firebox Mount, GF 370
19	222999	Bracket, Side Support, GF 370
20	22320792	Bracket, Door Catch, GF 370, MB

No.	Part Number	Description
21	156843	Lower Door Hinge Asy. GF 370, MB
22	156835	Replacement Outer Side Glass, GF 370
23	22321692	Bracket, Blower Mount, GF 370, MB
24	22321892	Bracket, Outer Glass Kit, Lower, GF 370, MB
25	223220	Plate, Centering, GF 370
26	223227	Blower, Axial, 40 CFM, 120 V
27	22323292	Hinge, Door, MB
28	223236	Label, Caution,
29	99625	Bolt, Hex Head Serr Flange M6x16 8.8 Blk
30	223290	Latch, Magnetic
31	156837	Replacement Outer Side Glass Clip Ass'y.
32	22328592	Bracket, Handle, MB
33	10446392	Door, MB
34	10446492	Side Plate, Left, MB
35	10446592	Side Plate, Right, MB
36	118055	Keppnut, M4, Ext. Tooth Lockwasher, Stl, Zinc
37	22383292	Rear Cover, MB
38	224201	Gas Line Retainer
39	118236	Screw, M6 x 20

Figure 66. Spud Assembly parts identification



No.	Part Number	Description
1	118214	Screw, #8 X 3/8", Taptite, SLHWH, SZPL
2	117917	Screw, HWH SMA 8 x 1/2 SL Blk Oxide
3	117967	Screw, Pan Head #7 x 3/8 PH SMA Zinc
4	117968	Nut, M6 Serrated Flange plain
5	117975	Nut, Wing M6 Zinc
6	118023	Washer, Fender .250 x 2.250
7	9962	Bolt, Hex Cap M6x10 DIN 933 8.8 Ser Flange Blk
8	156813	Wire Harness, Replacement - IPI / GF 370
9	223235	Flex tube w/connectors (3/8in O.D. x 34in)
10	129130	Orifice, #38 / NG
10	220731	Orifice, #53 / LP
11	223230	Gasket, Spud Plate, GF 370
12	129670	Gasket, Pilot Assembly
13	156836	Replacement 1.5' Power Cord Ass'y, GF 370
14	120517	Switch, Rocker, SPST, Black, Plain
15	220709	Knob, Rheostat Control
16	220734	Gasket, 2.25in OD x .125
17	221390	Primary Air Shutter Asby
18	222292	Elbow, 90 deg, Brass 3/8 NTP X 3/8" Dia Tube
19	223204	Pilot Air Deflector, GF 370
20	222926	Proflame GTMFS Transmitter
21	222910	Spacer, Pilot, GF 370
22	157410	Proflame Valve w/Stepper Motor, NG only
22	157411	Proflame Valve w/Stepper Motor, LP only
23	222924	Proflame IPI Ignition Board
24	222925	Replacement Proflame Pilot, NG
24	156803	Replacement Proflame Pilot, LP
25	157026	Proflame Fan Control Module, Replacement
26	222928	Proflame S Receiver
27	222911	Gasket, Pilot Spacer, GF 370
28	222941	Elbow, Brass, Street, 90 deg, 3/8 NTP
29	222987	Intake Restrictor, GF 370
30	223201	Handle, Primary Air, GF 370
31	222280	Gasket, Drop In Orifice Holder
32	223246	Control Face Plate, Silkscreened, GF 370
33	156812	Burner Assembly, Complete / GF 370
34	223231	Orifice Holder, Drop In Assembly, GF 370
35	223233	Spud Plate Weldment, GF 370
36	156823	Replacement Light Dimmer, GF 370
37	223244	Bracket, IPI Ignition Board
38	156825	Replacement Spud Ass'y, GF 370, NG, 30%TD
	156838	Replacement Spud Ass'y, GF 370, LP, 30%TD
39*	222058	Pilot Orifice, Pop-top #62 / NG
	129473	Pilot Orifice, Pop-top #35 / LP
40	224132	Spacer, Orifice Holder
41	224201	Gas Line Retainer
42	223951	Remote Transmitter Wall-mount Bracket

\*Not illustrated

Use only genuine Jøtul Replacement Parts available from your local Authorized Jøtul Dealer or by contacting:

Jøtul North America  
55 Hutcherson Dr.  
Gorham, ME 04038

207 591-6601