

# GF 300 DV IPI Allagash Illustrated Parts Breakdown

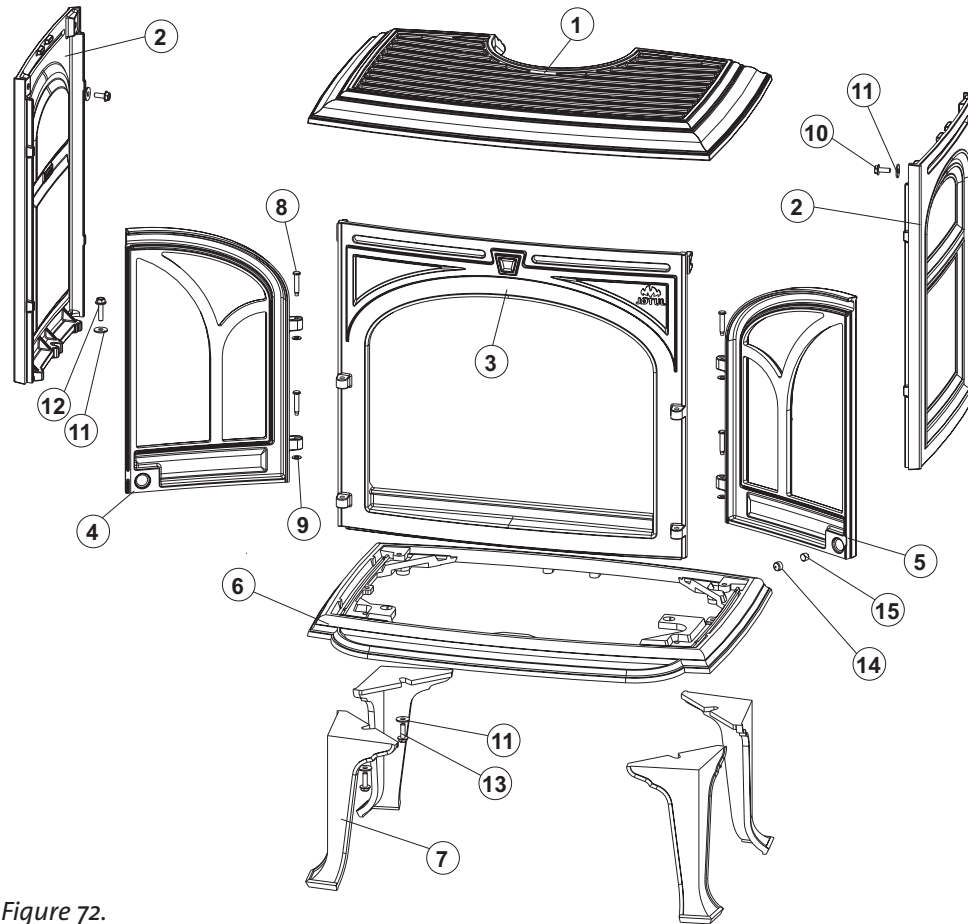


Figure 72.  
GF 300 DV IPI Cast iron parts and associated hardware.

Cast Iron Parts	Matte Black	Blue Black Enamel	Ivory Enamel	Brown Majolica Enamel	Green Majolica Enamel
1. Top Plate	10463192	10463127	10463129	10463147	10463149
2. Side Plate	10463292	10463227	10463229	10463247	10463249
3. Front Assembly *	15746192	157462	157463	157464	157472
4. Left Door					
5. Right Door					
6. Base Plate	10390092	10390027	10390029	10390047	10390049
7. Legs, (4)	10192592	101966	102251	10192547	10192549
8. Hinge Pin, New Style	Nickel Plate - 125960 / Matte Black - 127075				
9. Washer, Hinge 12mm OD x 6mm ID	117588				
10. Bolt, Hex Hd - M6 x 16 Ser. Flanged	99625				
11. Washer, Fender M6 DIN 9021 Zinc	120004				
12. Bolt, Hex Hd - M6 x 25 Ser. Flanged	118019				
13. Bolt, Hex Hd - M6 x 20 Ser. Flanged	117117				
14. Cap, Hi-Temp Vinyl, .375" ID x .250" DP	224905				
15. Magnet, .375" Dia. x .25" Neo. Hi-temp.	224909				

\*Includes 3,4,5,8, and 9.

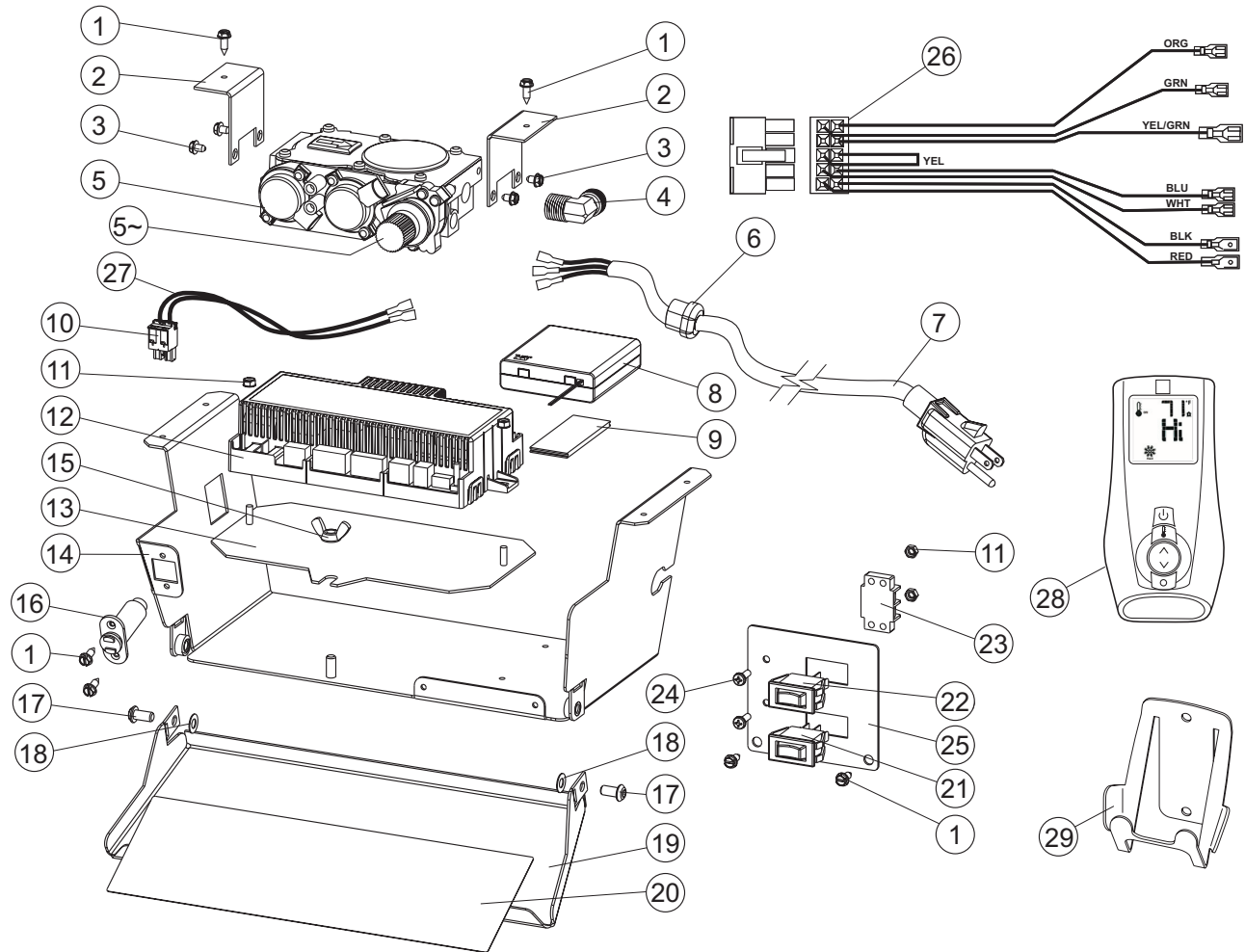


Figure 73.  
GF 300 DV IPI Valve Assembly and IFC Components.

No.	Part No.	Description
1.	117917	Screw, #8 x 1/2" SL Blk Oxide
2.	224904	Valve Bracket
3.	118214	Screw, #8x 1/4" Taptite
4.	222292	Elbow, 90° Brass 3/8 NTP x 3/8" Dia.
5.	224972	Valve w/ NG Regulator, Manual, 50%TD
5x.	224795	Regulator, Manual / LP , 50%TD
	224914	Regulator w/ Stepper Motor / NG, 50% TD
	224915	Regulator w/ Stepper Motor / LP, 50% TD
6.	117951	Wire Strain Relief, Heyco 7P-2 Lg
7.	157492	Power Cord, 18 AWG Grounded - 10 ft.
8.	157265	Replacement Back-up Battery Box (4 AA)
9.	118257	Hook & Loop Tape, 1" wide - Self adhesive
10.	224794	Connector, 2 Pin / IPI Burner
11.	118055	Kepnut, M4 Ext. Tooth Lockwasher
12.	157634	Proflame 2 IFC Control Board, Complete
13.	224911	IFC Mounting Plate

No.	Part No.	Description
14.	22477092	Control Bracket
15.	117975	Wing Nut, M6 Zinc
16.	224145	Magnetic Catch - Push to open
17.	9962	Bolt, Hex Hd Serr Flng M6 x 10mm
18.	117588	Hinge Washer, M6 - 12mm OD x 6mm ID
19.	22476992	Control Door
20.	224952	Instruction Label, Control Door - GF IPI Series
21.	220703	Rocker Switch, SPDT - Plain
22.	120517	Rocker Switch, SPST - Plain
23.	129154	Terminal Block, 2 Pole - 77 Series
24.	117921	Screw, Pan Hd Ph M4 x 12mm Blk Oxide
25.	224781	Control Faceplate, Silkscreened - GF IPI Series
26.	157493	Replacement IPI Wire Harness - GF IPI Series
27.	157494	Replacement Burner Control Wire Harness
28.	157495	Replacement Multifunction Remote / Black
29.	223951BKP	Replacement Remote Wall Bracket / Black PC

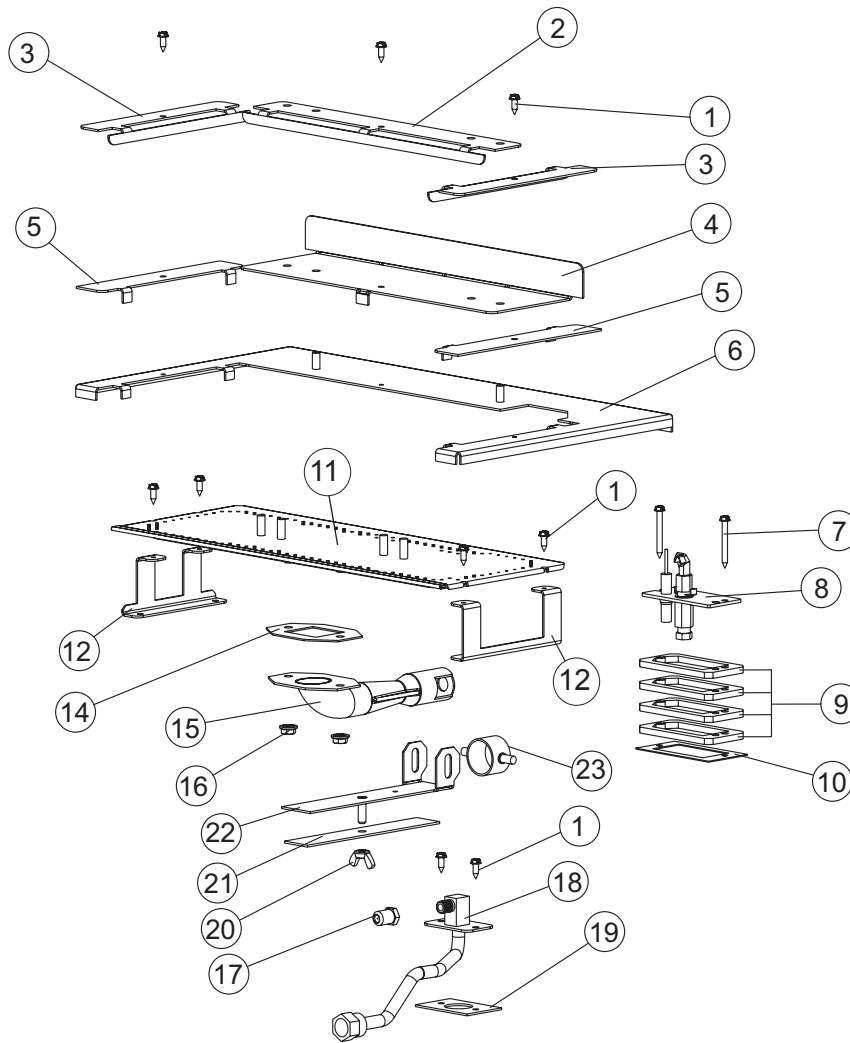


Figure 74.  
GF 300 DV IPI Pilot & Burner assembly and associated hardware.

No.	Part No.	Description	No.	Part No.	Description
1.	117917	Screw 8 x 12 1/2 SL Blk Oxide	14.	224909	Gasket, Burner Venturi, Steel Burner
2.	22495092	Air Deflector, Max Vent, Rear	15.	225338	Venturi Tube Weldment
3.	22494992	Air Deflector, Max Vent, Side	16.	117968	Nut, M6 Serrated Flange plain
4.	22494892	Air Deflector, Min Vent, Rear	17.	220946	Orifice, #40 / NG
5.	22494692	Air Deflector, Min Vent, Side		129804	Orifice, 1.40mm / LP
6.	22475192	Burner Skirt	18.	223231	Orifice Holder, 12.5" Tube
7.	118218	Screw, 8 x 1.5" SL Zinc	19.	222280	Gasket, Drop In Orifice Holder
8.	224785	Pilot, NG/LP, Dual-Fuel Convertible Flame Hood	20.	117975	Nut, Wing M6 Zinc
9.	224791	Spacer, PSE Pilot, .188", GF Series IPI Stoves	21.	221182	Gasket, Flat, 1" x 5.75"
10.	129670	Gasket, Pilot Assembly	22.	224758	Handle, Air Shutter
11.	157604	Burner Assembly, includes #1, 12, 14, & 15	23.	224903	Air Shutter Assembly - .75" Adjustment Range
12.	225018	Burner Retainer, Left & Right			

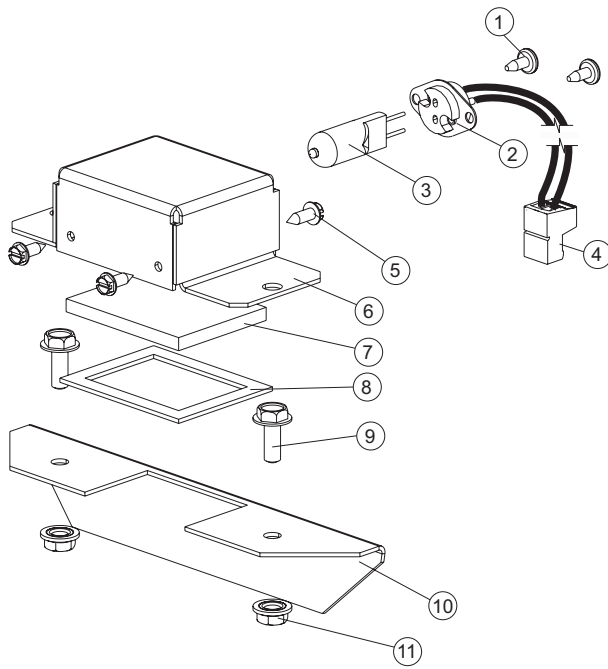


Figure 75.  
GF 300 DV IPI Accent Lamp Assembly

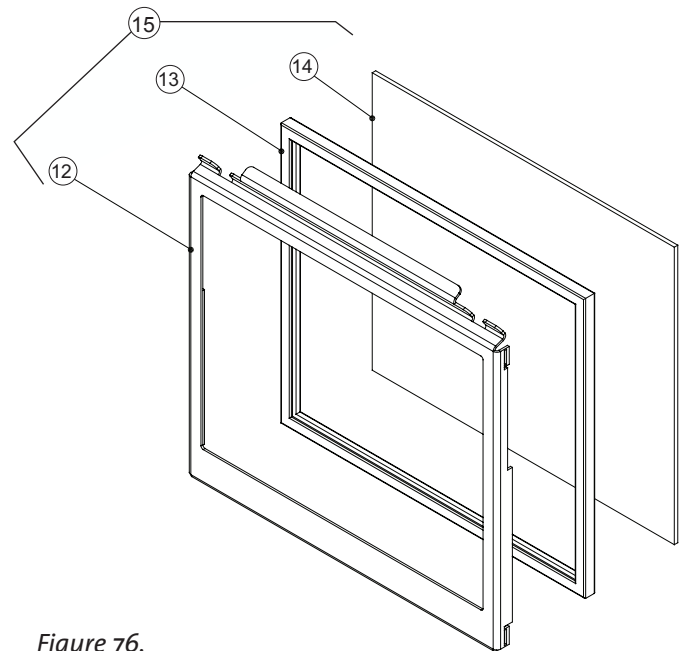


Figure 76.  
GF 300 DV IPI Glass Assembly

No.	Part No.	Description
1.	117967	Screw, Pan Head #7 x 3/8 PH Zinc
2.	157601	Replacement Lamp Wire Harness
3.	222943	Light Bulb, 130 Volt, 50 Watt
4.	224796	Connector, 2 pin, IPI Accessories
5.	117917	Screw, 8 x 1/2 SL Blk Oxide
6.	22476392	Light Box, Delay Door Mount
7.	222974	Glass, Ceramic, Light Fixture
8.	222977	Gasket, Light Cover
9.	99625	Bolt, Hex Head Serr Flange M6 x 16 8.8 Blk
10.	22476792	Light Shade, Delay Door Mount
11.	117968	Nut, M6 Serrated Flange Plain
12.	22493592	Glass Frame
13.	129124	Gasket
14.	220576	Glass Panel
15.	155599	Replacement Glass & Gasket, inc. spare clips

Replacement Parts Not Illustrated:

Delay Relief Door Gasket	224764
Brick Panel Retainer	22493192
Rear Shroud	22476892

GF 300 DV IPI Accessories	
Description	Part No.
Premium Upgrade Kit / NG*	157498
Premium Upgrade Kit / LP*	157499
Wall Thermostat	750003
Accent Lamp Kit (requires Multifunction Remote)	157469
Blower Kit with Multifunction Remote	157470
Flame Control Kit / NG (requires Multifunction Remote)	157496
Flame Control Kit / LP (requires Multifunction Remote)	157497
Multifunction Remote Control	157495
Reversible Brick Kit (Antique Red & Brownstone)	157458
Screen	157448
Short Leg Kit / Matte Black	350074
Short Leg Kit / Blue Black Enamel	350075
Short Leg Kit / Ivory Enamel	350117
Short Leg Kit / Brown Majolica Enamel	351174
Short Leg Kit / Green Majolica Enamel	361056
Leg Leveler	156096
Replacement Log Set	157445

\* Premium Upgrade Kits include:

- Blower Kit w/ Multifunction Remote
- Accent Lamp Kit
- Flame Control Kit / NG or LP