

GF 200 DV IPI Lillehammer Illustrated Parts Breakdown

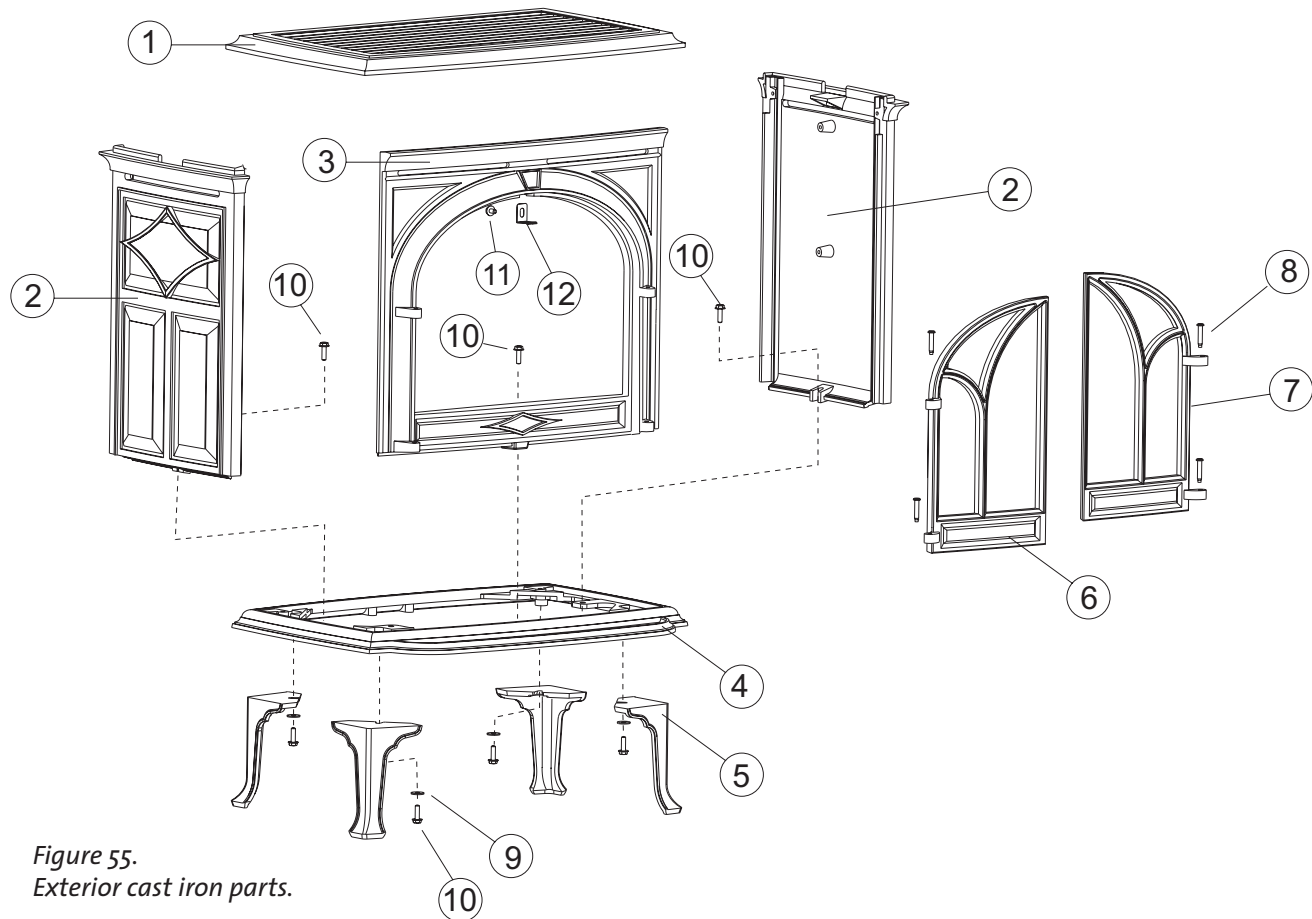


Figure 55.
Exterior cast iron parts.

Cast Iron Parts	Matte Black Paint	Brown Majolica Enamel
1. Top Casting	10390692	10390647
2. Side Panel	10390792	10390747
3. Front Panel*	n/a	n/a
4. Bottom Plate	10390092	10390047
5. Leg, 6"	10195292	10195247
6. Left Door*	n/a	n/a
7. Right Door*	n/a	n/a
* Front Assembly	15592392	156384
includes Front, Doors, and Hinge Pins		

Replacement Log Set Parts / See pgs. 21-22.		
No.	Part No.	Description
1.	225447	Left Rear Log
2.	225448	Right Rear Log
3.	225450	Burner Log
4.	225449	"Y" Log
5.	225451	Ember Stones
6.	157668	Complete Log Set

- 8. Hinge Pin, (4).....129560
- 9. Fender Washer, M6 (4).....120004
- 10. Bolt, M6 x 20, (4)117117
- 11. Bolt, M6 x 10 Hex Hd Flange9962
- 12. Door Catch220919

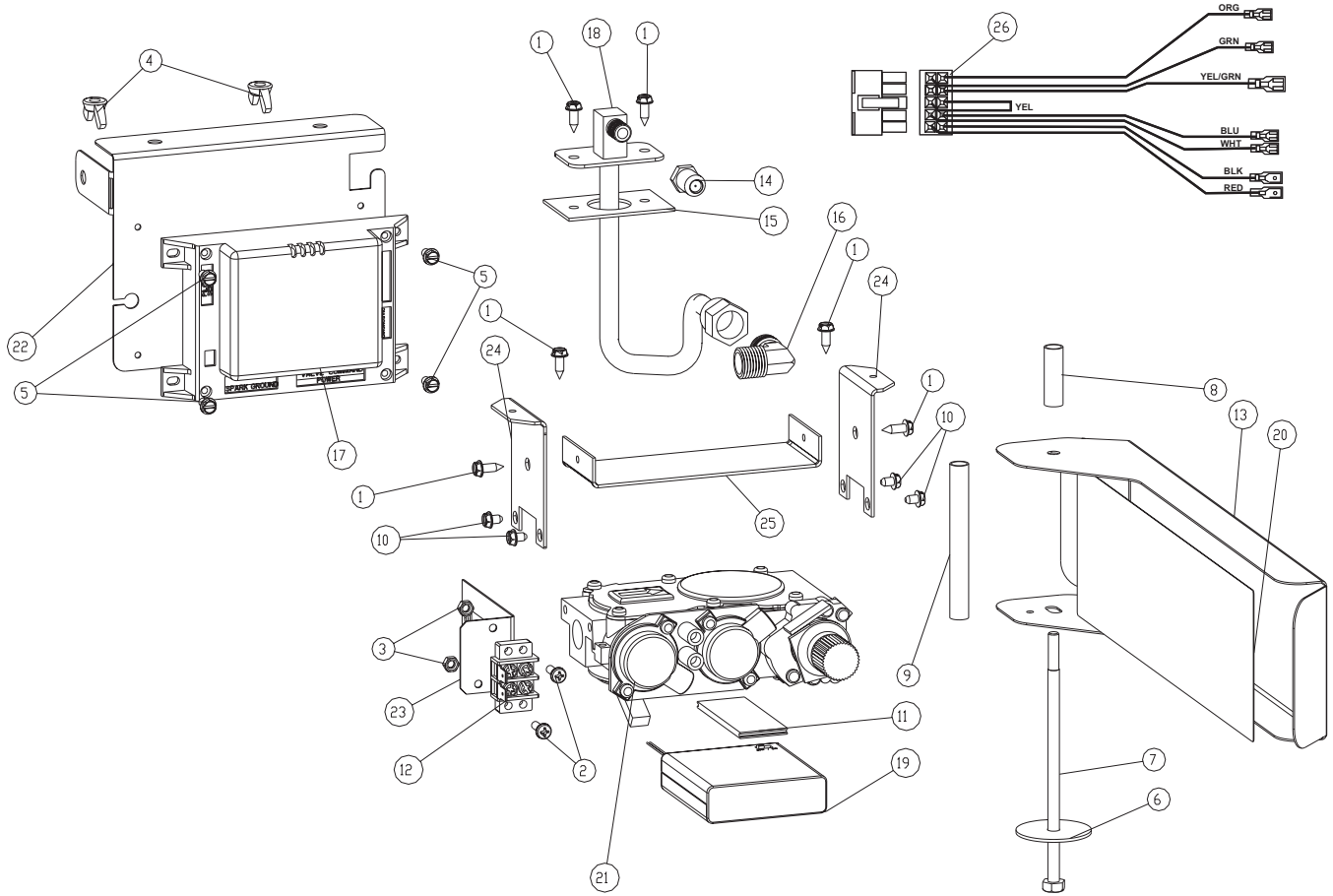


Figure 56.
GF 200 DV IPI Valve Assembly and DFC Components.

No.	Part No.	Description
1.	117917	Screw, #8 x 1/2" SL Blk Oxide
2.	117921	Screw, Pan Hd Ph M4 x 12mm Blk Oxide
3.	117922	Nut, Hex M4 DIN 934 PLAIN
4.	117975	Nut, Wing M6, Zinc
5.	117999	Screw, SL SMA Type B #8 x 3/8 Zinc
6.	118029	Washer, Fender .250 x 1.50 dia.
7.	118033	Bolt, M6 x 130 Hex Hd
8.	118039	Spacer, .375 OD x 1.188
9.	118040	Spacer, Control Door Hinge .375 OD x 3.172
10.	118214	Screw, #8x 1/4" Taptite
11.	118257	Hook & Loop Tape, 1" Wide, Self-adhesive
12.	129154	Terminal Block, 2 Pole 77 Series
13.	22093192	Control Door GF 200 DV IPI
14.	221185	Orifice, 1.20 mm
	225441	Orifice, 2.1mm
15.	222280	Gasket, Drop-in Orifice Holder
16.	222292	Elbow, 90 deg, Brass 3/8 NTP x 3/8" dia. flare

No.	Part No.	Description
17.	222924	Proflame 1 IPI Ignition Board
18.	332231	Orifice Holder, Drop-in Assembly
19.	224262	Battery Box w/ Cover
20.	224952	Instruction Label, Control Door - GF IPI Series
21.	224972	Valve, NG, Proflame Manual, 50%TD, SIT
22.	225088	Bracket, DFC
23.	225089	Terminal Block Bracket
24.	225432	Valve Bracket
25.	225433	Wire Retainer Bracket
26.	157683	Wire Harness, Proflame 1, Replacement
27.*	225422	AC/DC Adapter, High Temp - 7V

* not illustrated

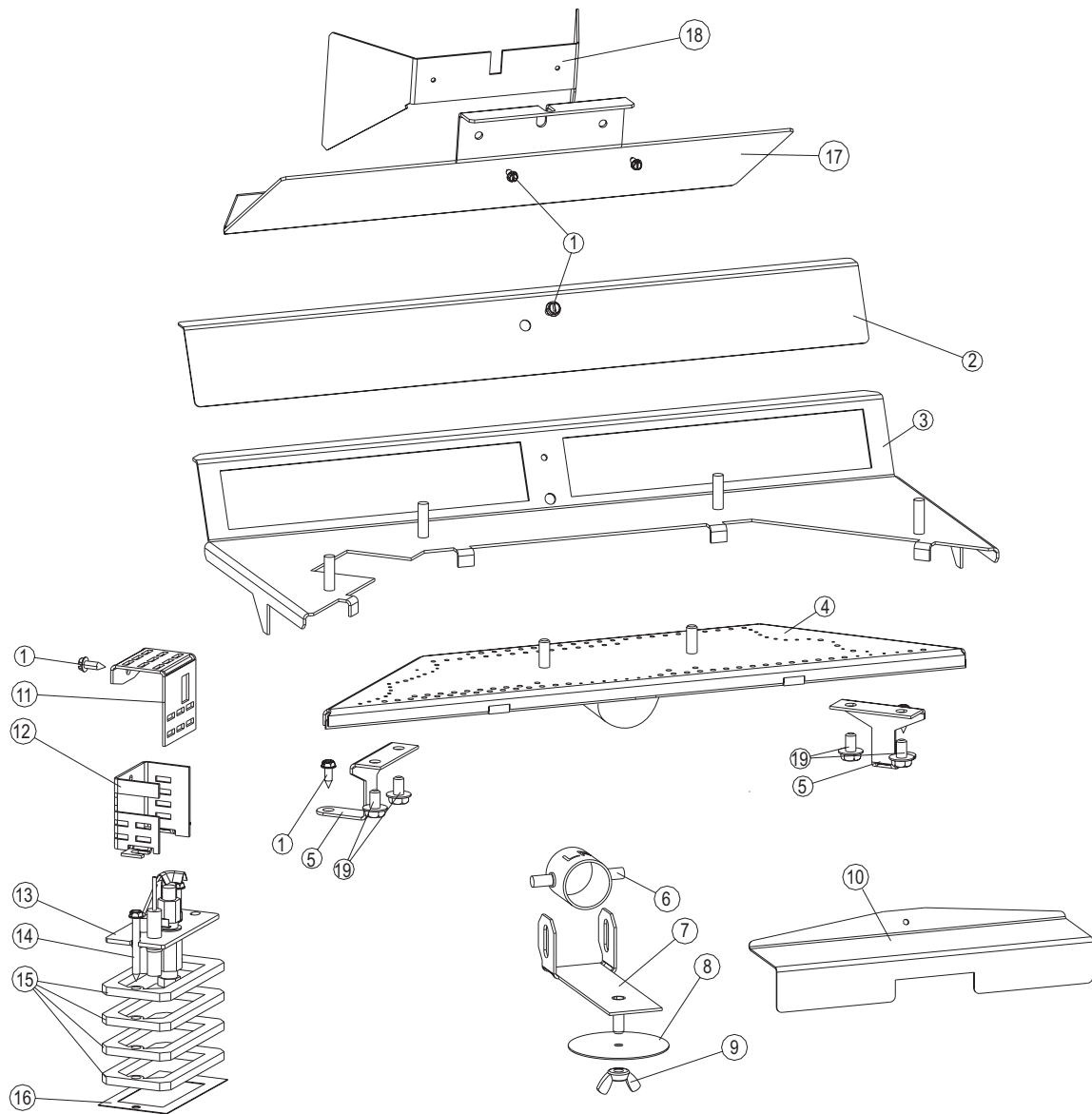
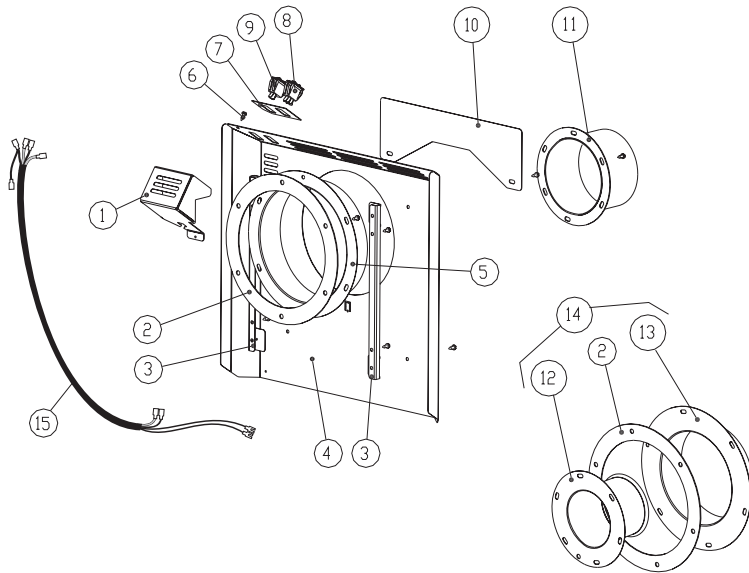


Figure 57.
GF 200 DV IPI Pilot & Burner assembly and associated hardware.

No.	Part No.	Description	No.	Part No.	Description
1.	117917	Screw 8 x 12 1/2 SL Blk Oxide	11.	225439	Pilot Shield, High Wind (Optional Kit 157685)
2.	22544092	Rear Cover, Burner Skirt	12.	225438	Pilot Shield
3.	225081	Burner Skirt	13.	224785	Pilot, NG/LP, Dual-Fuel Convertible Flame Hood
4.	157651	Burner Assembly Complete	14.	118218	Screw, HWH SMA 8 x 1.5
5.	225077	Bracket, Burner Retainer	15.	224791	Spacer, PSE Pilot, .188"
6.	221390	Primary Air Shutter	16.	129670	Gasket, Pilot Assembly
7.	225080	Handle, Air Shutter	17.	22508292	Firebox Baffle
8.	220734	Gasket, 2.25in OD x .125	18.	225434	Secondary Air Diverter
9.	117975	Wing Nut M6, Zinc	19.	9962	Bolt, Hex Cap M6x10 DIN Ser Flange Blk
10.	225092	Air Deflector, Burner Skirt			

Figure 58.
GF 200 DV IPI Rear Components



No.	Part No.	Description
1.	22542492	Switch Cover
2.	129775	Gasket,
3.	225086	Bracket, Rear Shroud
4.	22508592	Rear Shroud
5.	129874	Adaptor, 8 in. dia.
6.	117917	Screw, #8 x 1/2 in. Blk. Oxide
7.	225437	Decal, Switch ID
8.	220703	Switch, Rocker, SPDT - Center Off, Blk.
9.	120517	Switch, Rocker, SPST, Blk.
10.	22542692	Wall Shield
11.	225462	Adaptor, 5 in.
12.	129781	Adaptor, 4 in. (Custom)
13.	129783	Adaptor, 6 5/8 in. (Custom)
14.	157674	Vertical Vent Adaptor Kit, 5/8-to-4/6
15.	157684	Wire Harness, Controls - GF 200 DV IPI

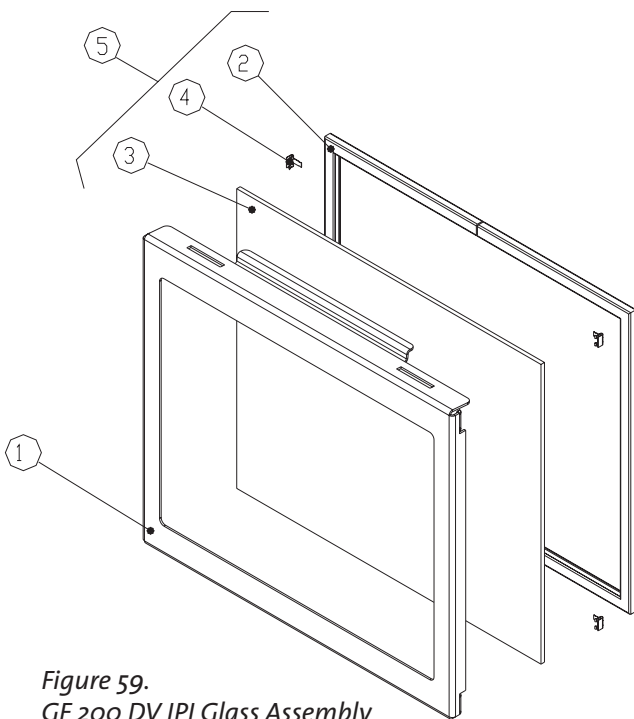


Figure 59.
GF 200 DV IPI Glass Assembly

No.	Part No.	Description
1.	221365	Glass Frame II
2.	129124	Gasket, Tadpole - .25 dia. x 1.25", 6 ft.
3.	220576	Glass Panel, Ceramic
4.	220042	Replacement Glass Clips
5.	155599	Replacement Glass Kit, GF 200 DV IPI

GF 200 DV IPI Accessories	
Description	Part No.
Remote Control	224910
Wall Thermostat	750003
Blower Kit	155631
Screen	155641
Brick Panel Kit	157666
Long Leg Kit / Matte Black	154929
Long Leg Kit / Brown Majolica Enamel	351149
Leg Leveler	156096
Fuel Conversion Kit, Propane	157669
Fuel Conversion Kit, Natural Gas	157670
High Altitude Adjustment Kit / LP	157675
High Altitude Adjustment Kit / NG	157676
Vertical Vent Adaptor Kit, 5/8-to-4/6	157674
High Wind Pilot Shield Kit	157685